

**META 02 Wall-mounted mixer with individual rosettes with extending spout -
Brushed Platinum**

36 882 625



- 325mm projection
- pivoting spout
- air-enriched flow
- rosette for spout Ø 55mm
- rosette for mixer Ø 78mm
- max. flow 7 l/min at 3 bar flow pressure
- lead-free

Required miscellaneous



Concealed wall-mounted single-lever mixer on right - 35 816 970 90

- NOTE:Not suitable for concealed installation.Connection by means of angle valves, mounted with screws to back wall.

Required miscellaneous

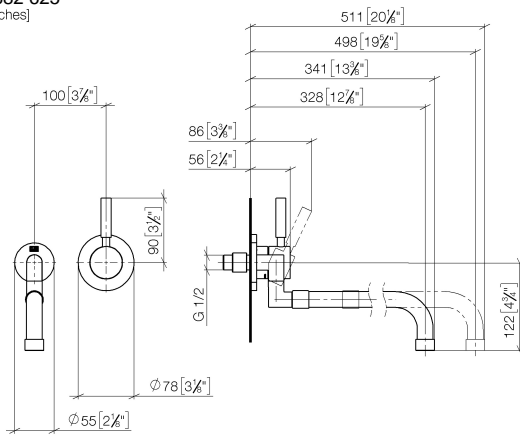


Concealed wall-mounted single-lever mixer - 35 860 970 90

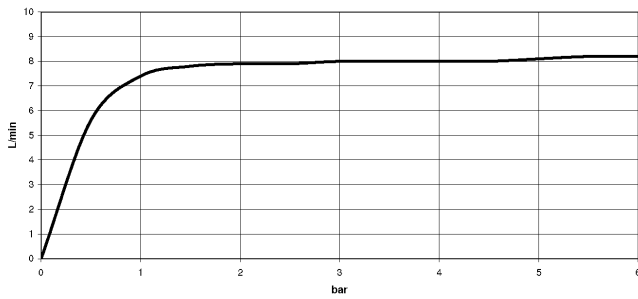
- max. recess depth 95 mm
- min. recess depth 80 mm

**META 02 Wall-mounted mixer with individual rosettes with extending spout -
Brushed Platinum**

36 882 625
mm [inches]



Flow rate chart

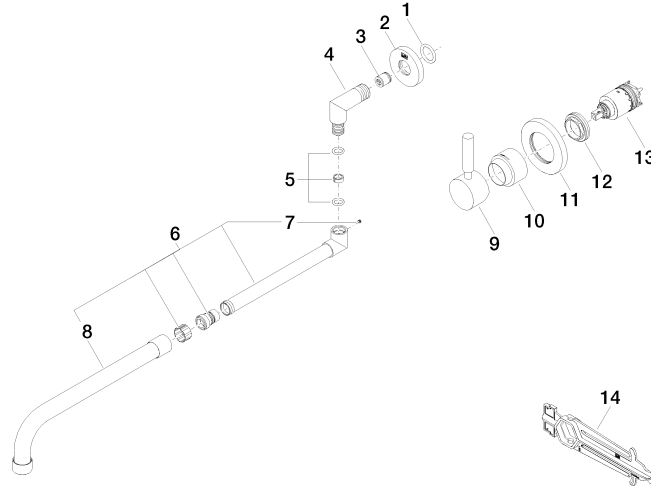


Certificates

LGA_29897.

**META 02 Wall-mounted mixer with individual rosettes with extending spout -
Brushed Platinum**

36 882 625



Spare parts list

No.	Item Number	Name	Quantity used	Delivery time
1	90 14 10 026 00 90	seal	1	2
2	09 27 22 503-06	rosette	1	10
3	09 23 01 044 90	back-flow preventer	1	2
4	09 11 03 013 10-06	connection	1	10
5	90 14 15 020 00 90	gasket kit	1	2
6	04 28 25 077 10-06	spout	1	60
7	90 31 11 038 00 90	pin	1	2
8	90 28 25 076 00-06	spout	1	10
9	90 20 62 040 00-06	handle	1	10
10	09 11 02 530-06	cover	1	10
11	90 27 62 011 00-06	rosette	1	10
12	09 24 04 105 90	nut	1	2
13	90 15 05 064 01 90	cartridge	1	2
14	90 30 09 064 00 90	key	1	2